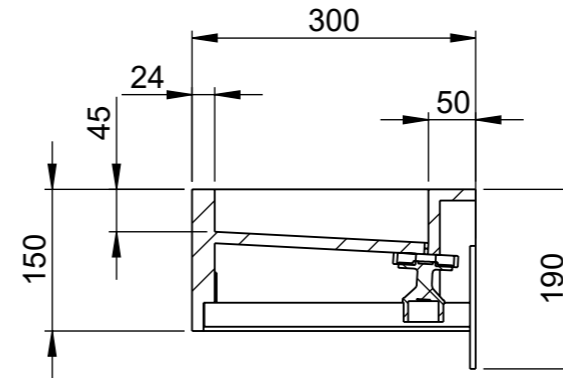
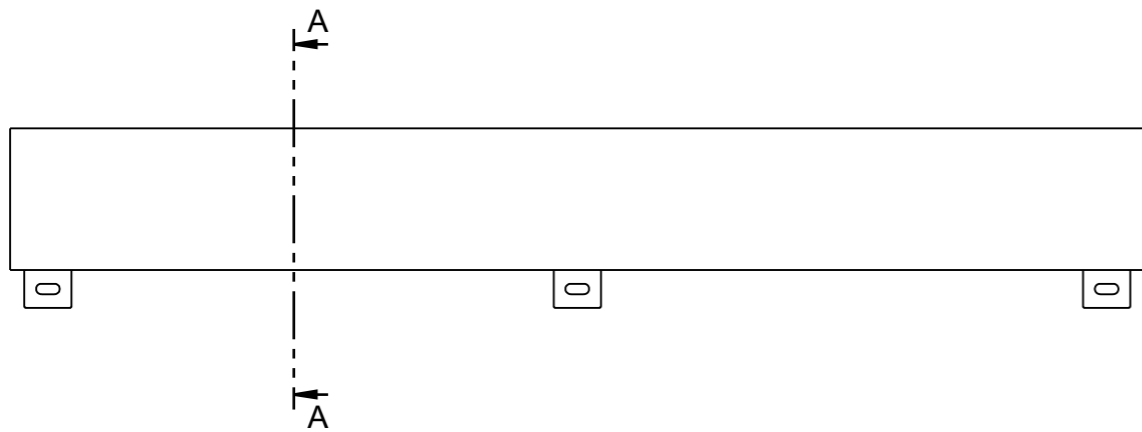
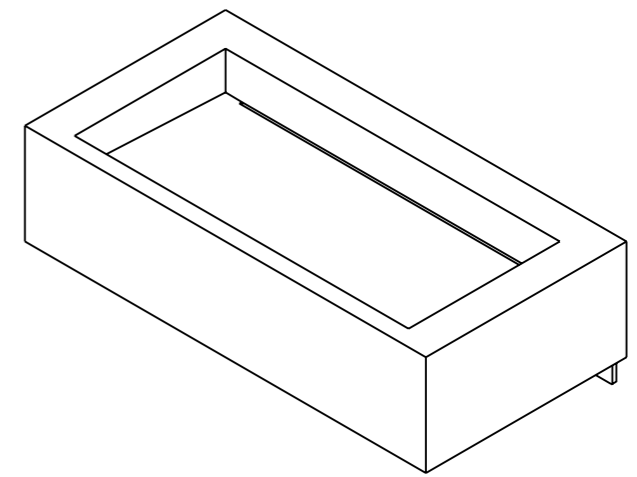
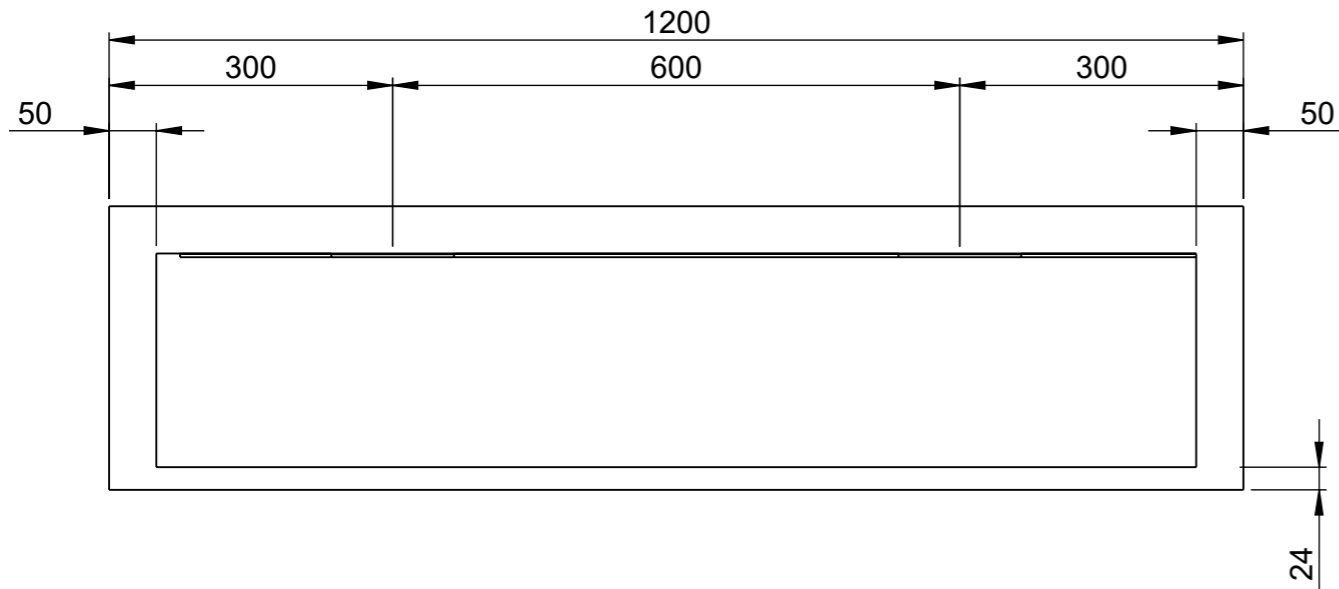


# Intelligent

**The trusted independent experts for hand dryers  
and washrooms since 2012.**

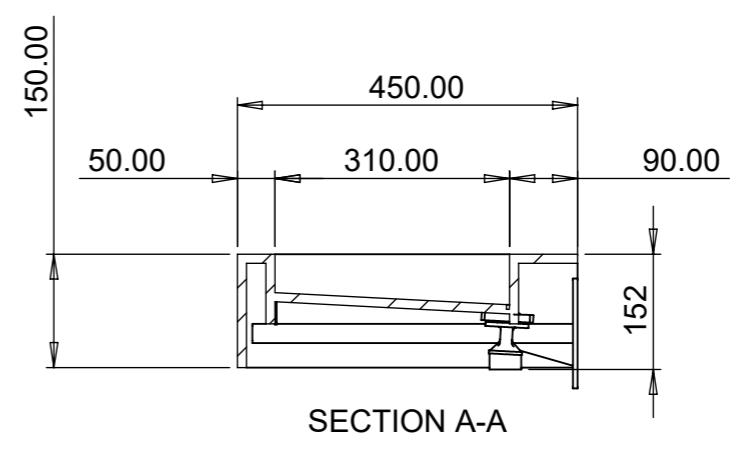
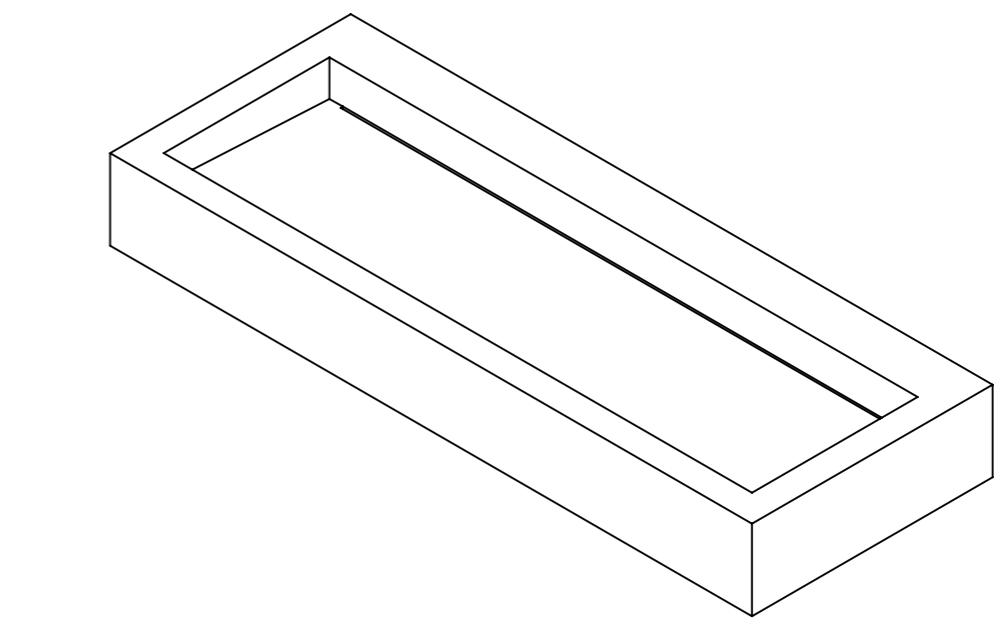
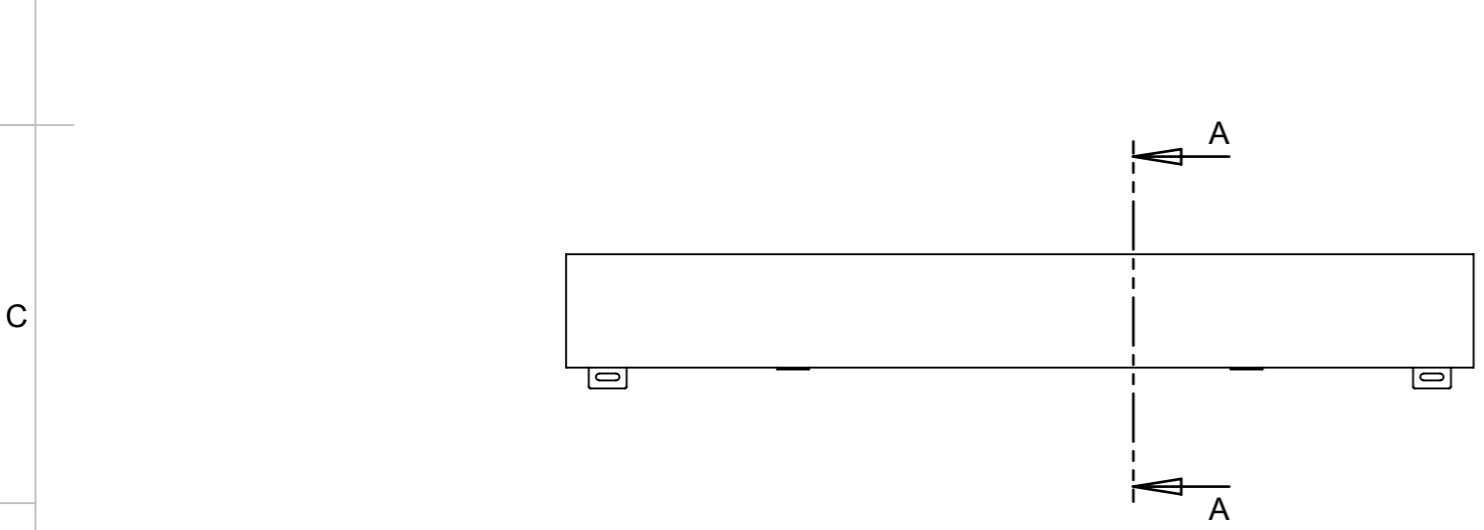
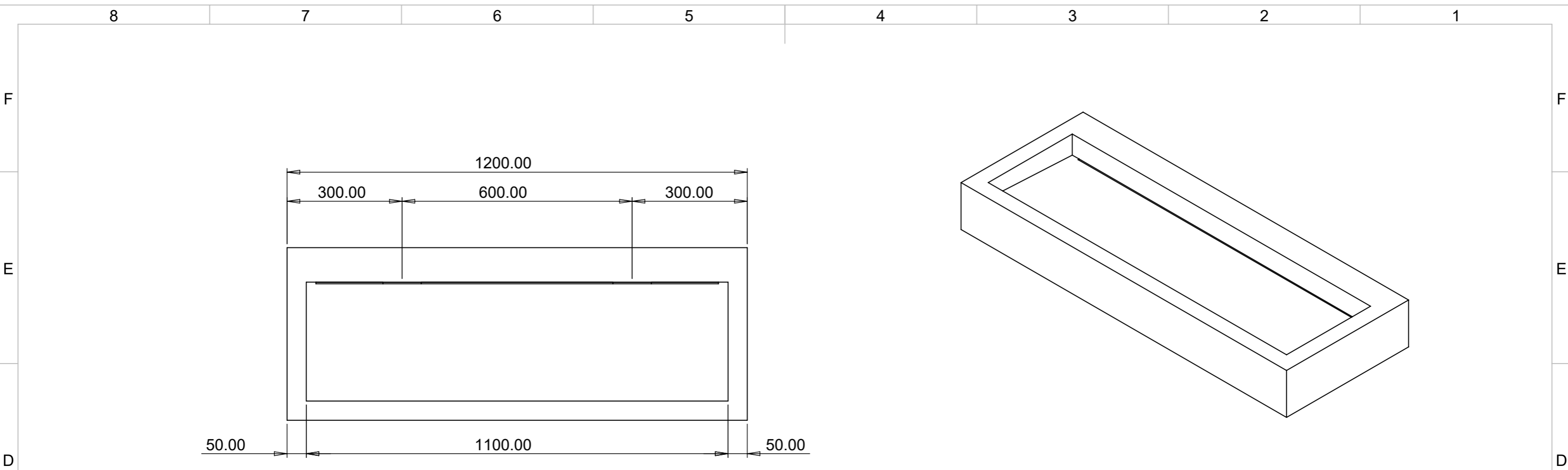




SECTION A-A

ITEM NO.	PART NUMBER	DESCRIPTION	QTY.
1	TSL.S12	TSL.S12	1
2	TSL MONOLITH - WASTE TRAP	TSL WASTE TRAP	2
3	TSLP.S.SXBKT	300 STRAIGHT BRACKET	3

DRAWING NOTES & REVISION HISTORY		TSL MONOLITH - UK SERIES 2D V1.0			DO NOT SCALE DRAWING	REVISION 1	
<p><b>+</b> <b>THE SPLASH LAB</b></p> <p><small>UNLESS OTHERWISE SPECIFIED: DIMENSIONS ARE IN MILLIMETERS OF THE SPLASH LAB ANY REPRODUCTION IN PART OR AS A WHOLE WITHOUT THE WRITTEN PERMISSION OF THE SPLASH LAB IS PROHIBITED</small></p> <p><small>PROPRIETARY AND CONFIDENTIAL THE INFORMATION CONTAINED IN THIS DRAWING IS THE SOLE PROPERTY OF THE SPLASH LAB ANY REPRODUCTION IN PART OR AS A WHOLE WITHOUT THE WRITTEN PERMISSION OF THE SPLASH LAB IS PROHIBITED</small></p>		NAME	SIGNATURE	DATE	TITLE		
		DRAWN	TP	29/11/2022	<b>TSL.S120</b>		
		APPV'D					
		QUANTITY	1			CLIENT	<b>THE SPLASH LAB</b>
		USERS					
COLOUR	WHITE						
MATERIAL	SOLID SURFACE			SCALE:1:8			
WEIGHT	TBC						



ITEM NO.	PART NUMBER	MATERIAL	COLOUR	QTY.
2	TSL MONOLITH - CONTINUOUS BASIN MONOLITH TSL.AM120	SOLID SURFACE	WHITE	1
5	TSL MONOLITH - WASTE TRAP MONOLITH 0075	RECYCLABLE POLYPROPYLENE		2
6	TSL STRAIGHT BRACKET	PLAIN CARBON STEEL		2

DRAWING NOTES & REVISION HISTORY	
REVISION 1 - AS DRAWN	

**+**  
**THE SPLASH LAB**

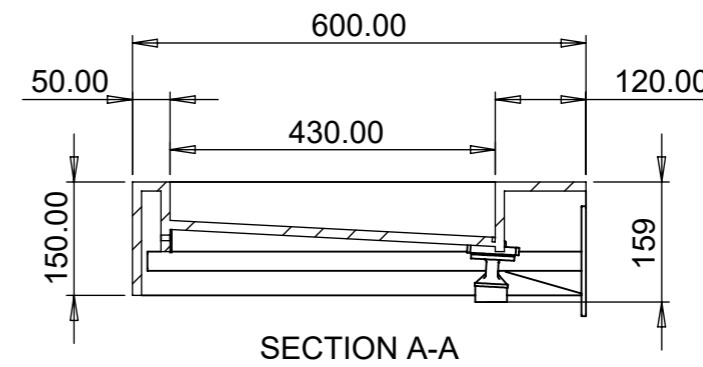
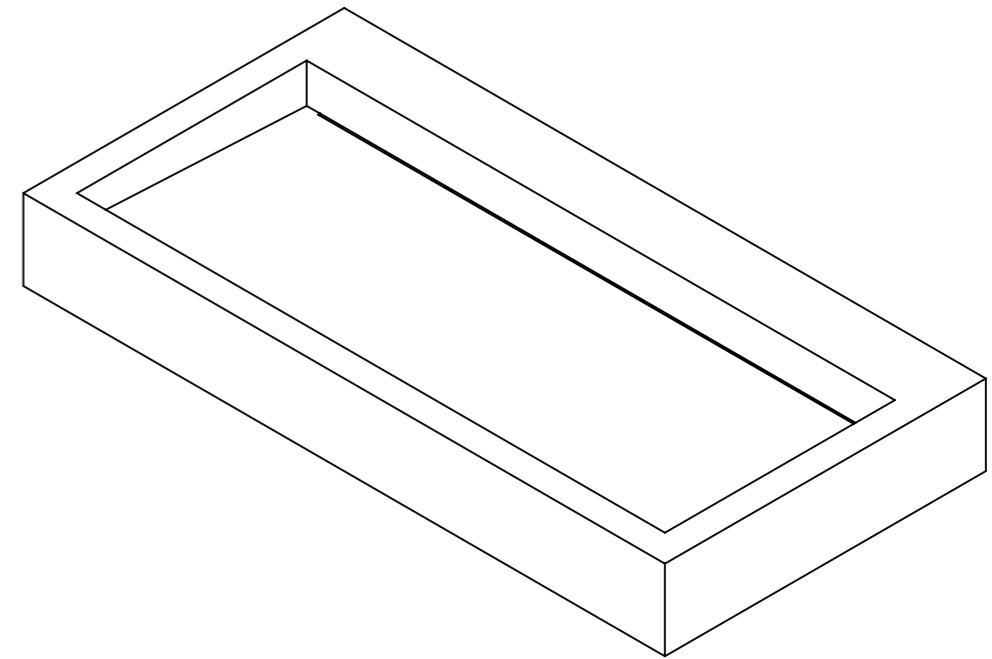
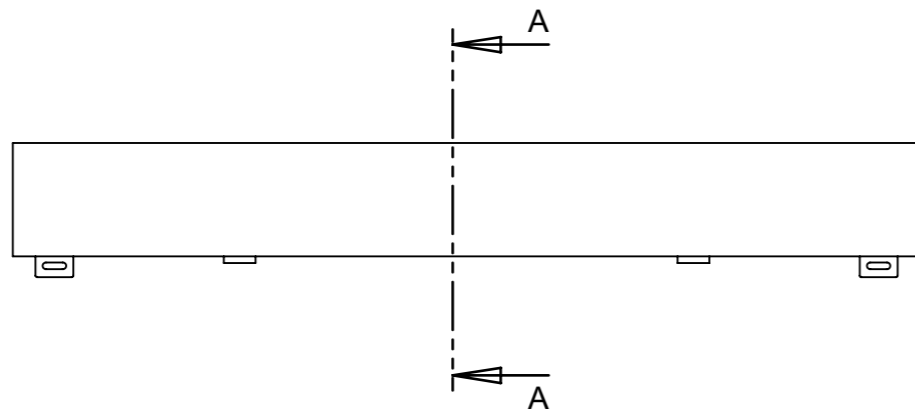
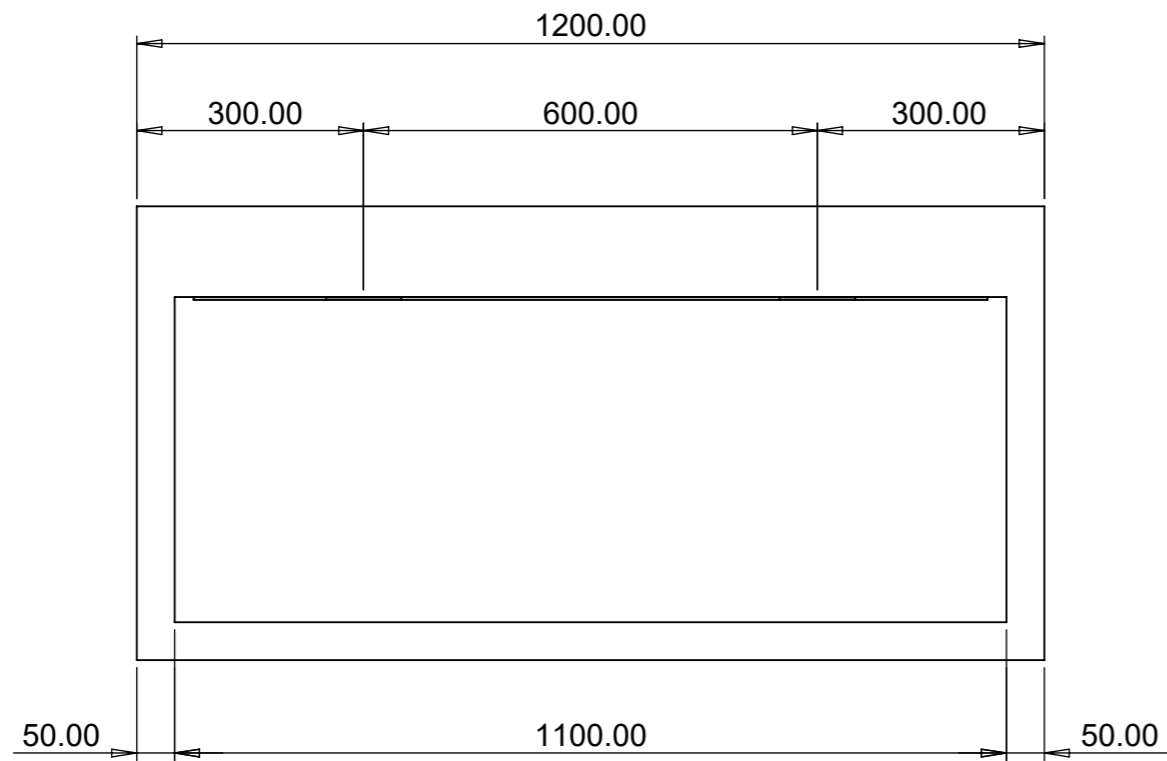
UNLESS OTHERWISE SPECIFIED, DIMENSIONS ARE IN MILLIMETERS  
SURFACE FINISH: REPRODUCTION IN PART OR AS A WHOLE WITHOUT THE WRITTEN PERMISSION OF THE SPLASH LAB IS PROHIBITED

PROPRIETARY AND CONFIDENTIAL  
THE INFORMATION CONTAINED IN THIS DRAWING IS THE SOLE PROPERTY OF THE SPLASH LAB ANY REPRODUCTION IN PART OR AS A WHOLE WITHOUT THE WRITTEN PERMISSION OF THE SPLASH LAB IS PROHIBITED

TSL MONOLITH - DRAWING MONOLITH TSL.AM120				DO NOT SCALE DRAWING	REVISION 1
DRAWN	NAME	SIGNATURE	DATE	TITLE:	
APPV'D	TWP		15/07/2022	<b>TSL.M.120</b>	
QUANTITY	1				
USERS	2				
COLOUR	AS STATED IN BOM				
MATERIAL	AS STATED IN BOM			CLIENT	MONOLITH
WEIGHT	15.07KG			SCALE:1:10	SHEET 1 OF 1

A

A



ITEM NO.	PART NUMBER	MATERIAL	COLOUR	QTY.
2	TSL MONOLITH - CONTINUOUS BASIN MONOLITH TSL.CM120	SOLID SURFACE	WHITE	1
5	TSL MONOLITH - WASTE TRAP MONOLITH 0097	RECYCLABLE POLYPROPYLENE		2
6	TSL STRAIGHT BRACKET	PLAIN CARBON STEEL		2

**DRAWING NOTES & REVISION HISTORY**

REVISION 1 - AS DRAWN



UNLESS OTHERWISE SPECIFIED, DIMENSIONS ARE IN MILLIMETERS  
SURFACE FINISH: RECYCLABLE POLYPROPYLENE  
TOLERANCES: +/- 3MM

PROPRIETARY AND CONFIDENTIAL  
THE INFORMATION CONTAINED IN THIS DRAWING IS THE SOLE PROPERTY OF THE SPLASH LAB ANY REPRODUCTION IN PART OR AS A WHOLE WITHOUT THE WRITTEN PERMISSION OF THE SPLASH LAB IS PROHIBITED

TSL MONOLITH - DRAWING MONOLITH TSL.CM120			
	NAME	SIGNATURE	DATE
DRAWN	TWP		15/07/2022
APPV'D			
QUANTITY	1		
USERS	2		
COLOUR	AS STATED IN BOM		
MATERIAL	AS STATED IN BOM		
WEIGHT	18.44KG		

DO NOT SCALE DRAWING		REVISION 1
TITLE:		
<b>TSL.L.120</b>		
CLIENT	MONOLITH	A3
SCALE:1:10		SHEET 1 OF 1