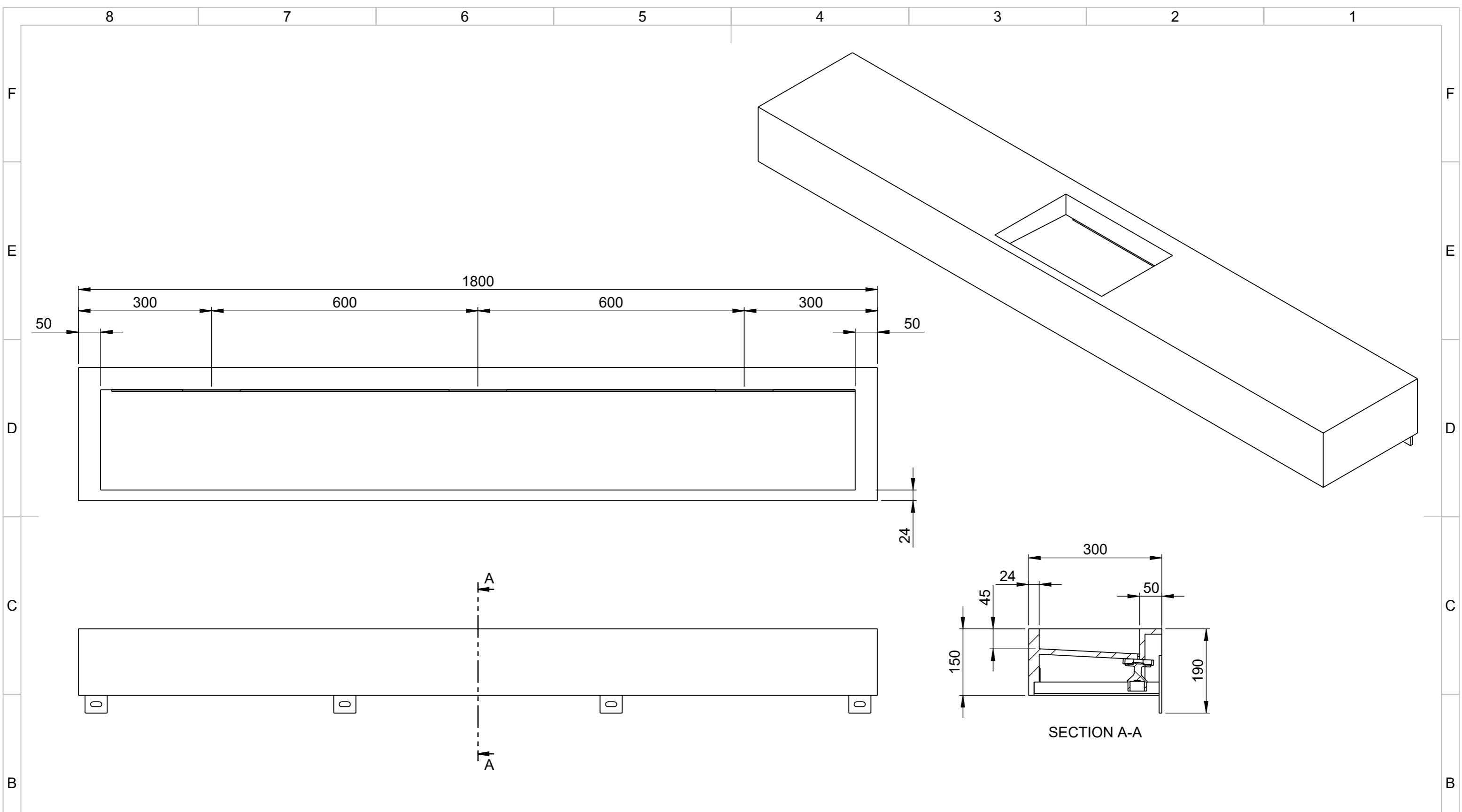


Intelligent

**The trusted independent experts for hand dryers
and washrooms since 2012.**





ITEM NO.	PART NUMBER	DESCRIPTION	QTY.
1	TSL.S18	TSL.S18	1
2	TSL MONOLITH - WASTE TRAP	TSL WASTE TRAP	3
3	TSLP.S.SXBKT	300 STRAIGHT BRACKET	4

DRAWING NOTES & REVISION HISTORY	

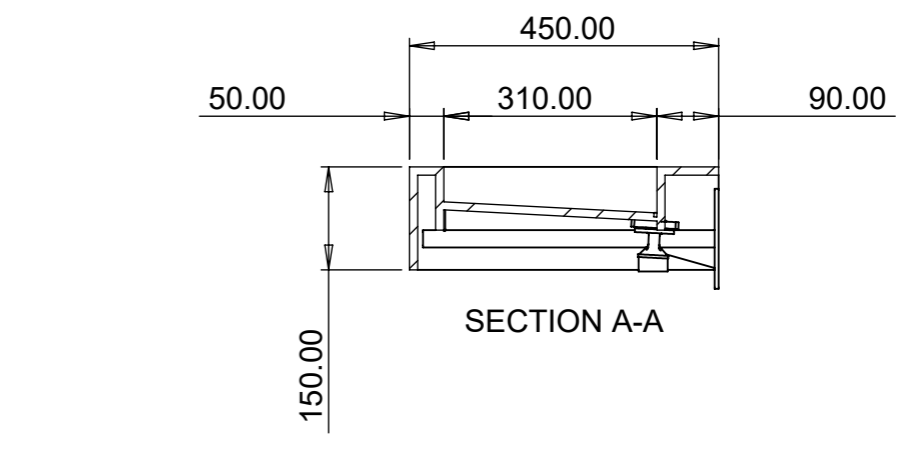
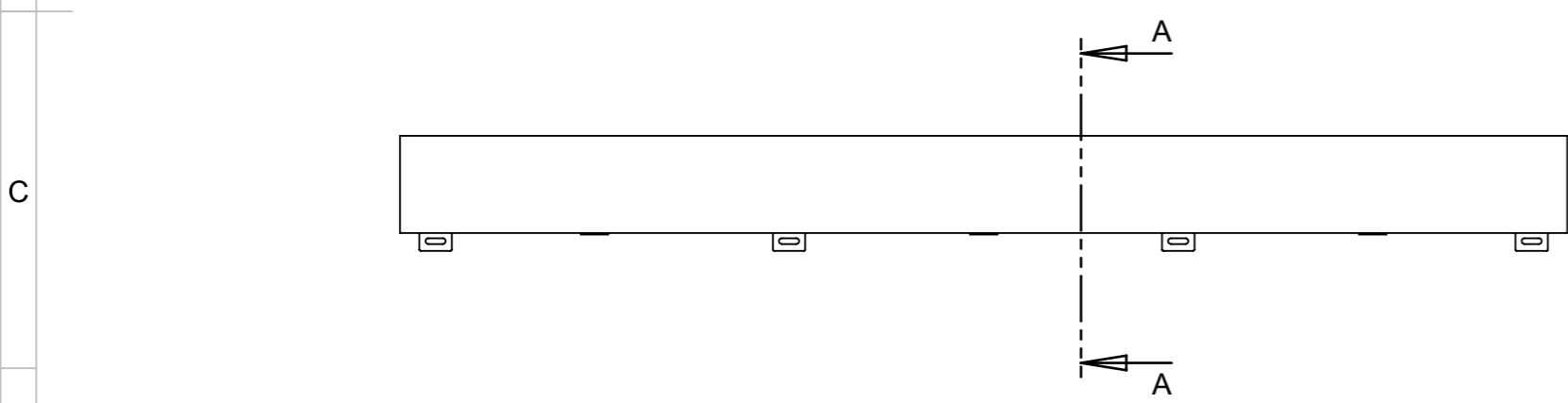
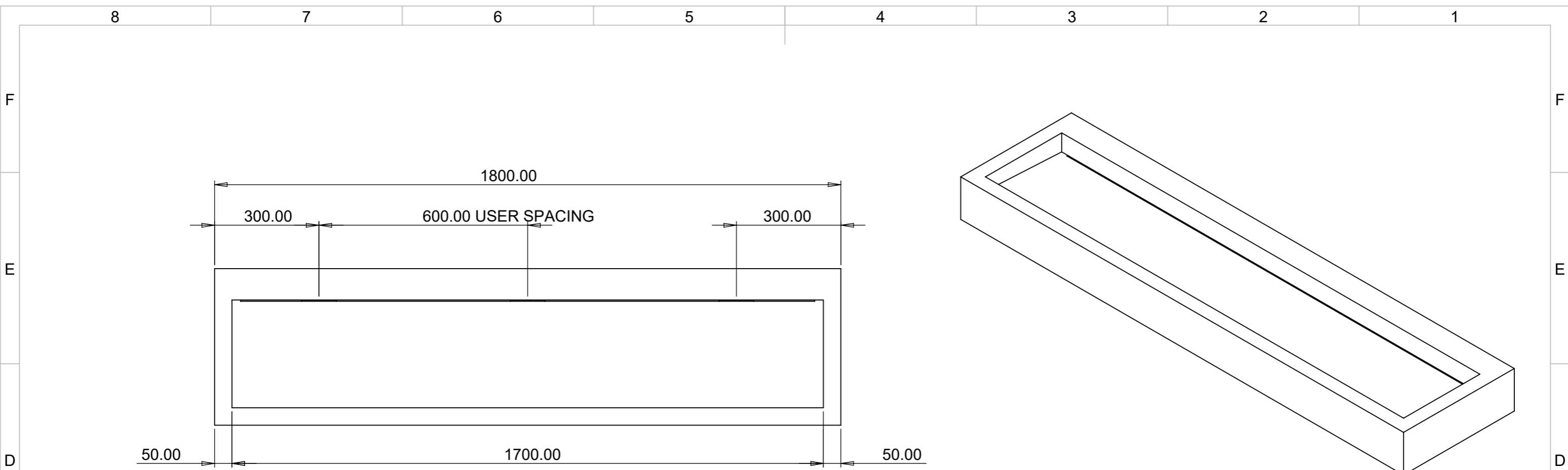
+
**THE
SPLASH
LAB**

UNLESS OTHERWISE SPECIFIED,
DIMENSIONS ARE IN MILLIMETERS
SURFACE FINISH:
TOLERANCES: +/- 3MM

PROPRIETARY AND CONFIDENTIAL
THE INFORMATION CONTAINED IN
THIS DRAWING IS THE SOLE PROPERTY
OF THE SPLASH LAB ANY
REPRODUCTION
IN PART OR AS A WHOLE WITHOUT THE
WRITTEN PERMISSION OF THE SPLASH
LAB IS PROHIBITED

TSL MONOLITH - UK SERIES 2D V1.0			
	NAME	SIGNATURE	DATE
DRAWN	TP		29/11/2022
APPV'D			
QUANTITY	1		
USERS			
COLOUR	WHITE		
MATERIAL	SOLID SURFACE		
WEIGHT	TBC		

DO NOT SCALE DRAWING		REVISION 1
TITLE		
TSL.S180		
CLIENT		A3
THE SPLASH LAB		
SCALE:1:8		



ITEM NO.	PART NUMBER	MATERIAL	COLOUR	QTY.
6	TSL MONOLITH - CONTINUOUS BASIN MONOLITH TSL.AM180	SOLID SURFACE	WHITE	1
7	TSL MONOLITH - WASTE TRAP MONOLITH 0076	RECYCLABLE POLYPROPYLENE		3
8	TSL STRAIGHT BRACKET	PLAIN CARBON STEEL		4

DRAWING NOTES & REVISION HISTORY	
REVISION 1 - AS DRAWN	

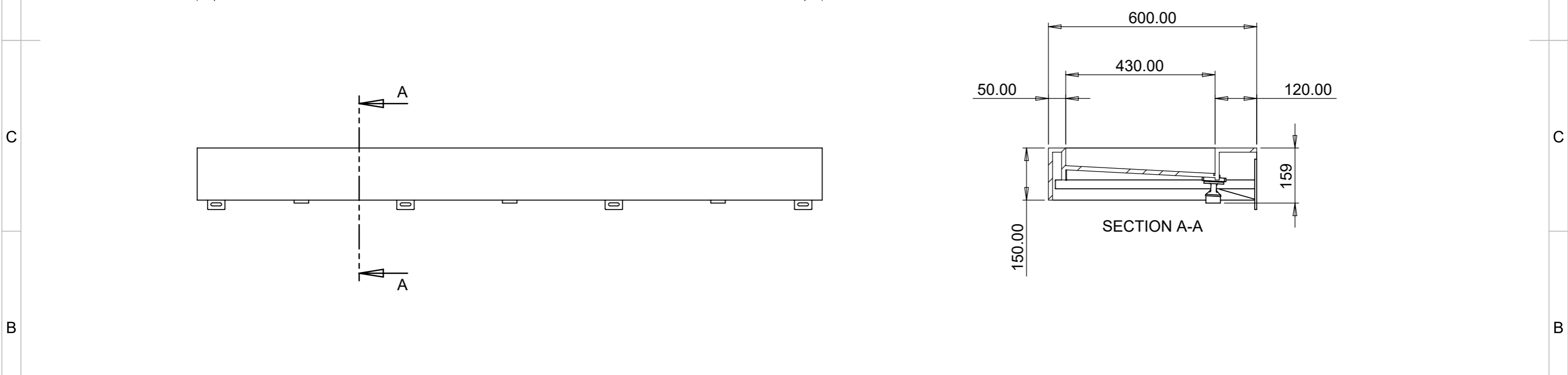
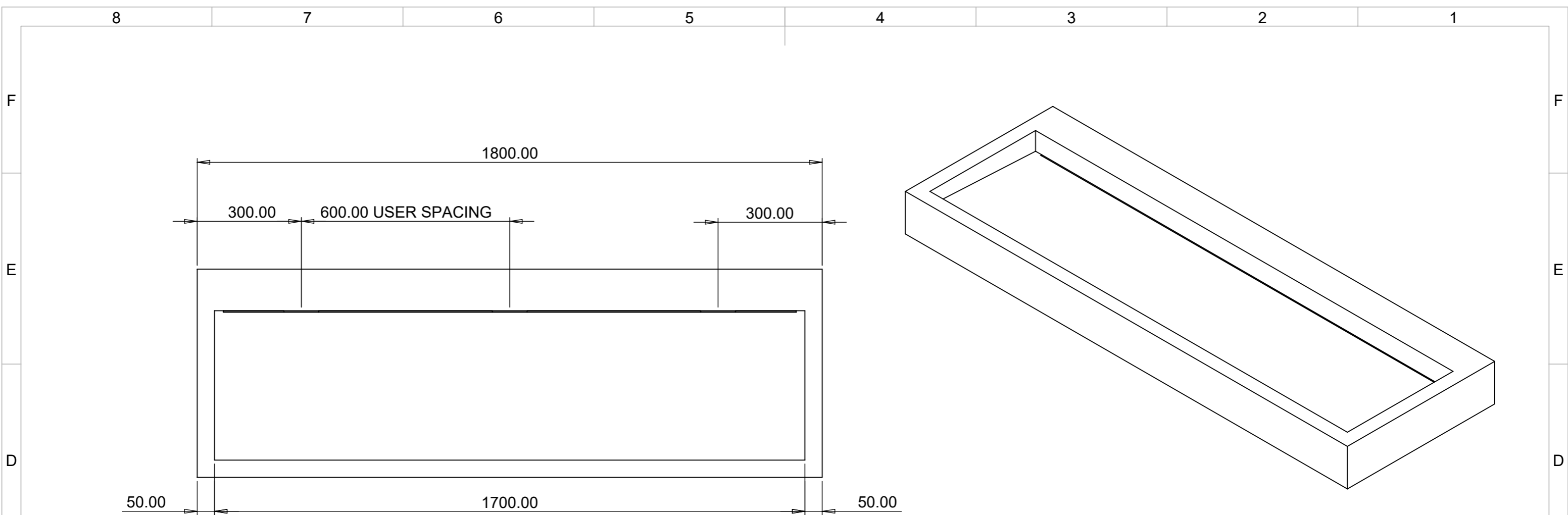
+
**THE
SPLASH
LAB**

UNLESS OTHERWISE SPECIFIED:
DIMENSIONS ARE IN MILLIMETERS
OF THE SPLASH LAB ANY
REPRODUCTION
IN PART OR AS A WHOLE WITHOUT THE
WRITTEN PERMISSION OF THE SPLASH
LAB IS PROHIBITED

PROPRIETARY AND CONFIDENTIAL
THE INFORMATION CONTAINED IN
THIS DRAWING IS THE SOLE PROPERTY
OF THE SPLASH LAB ANY
REPRODUCTION
IN PART OR AS A WHOLE WITHOUT THE
WRITTEN PERMISSION OF THE SPLASH
LAB IS PROHIBITED

TSL MONOLITH - DRAWING MONOLITH TSL.AM180				DO NOT SCALE DRAWING	REVISION 1
DRAWN	TWP	SIGNATURE	DATE	TITLE:	
APPV'D			15/07/2022	TSL.M.180	
QUANTITY	1				
USERS	3				
COLOUR	AS STATED IN BOM				
MATERIAL	AS STATED IN BOM			CLIENT	MONOLITH
WEIGHT	22.63KG			SCALE:1:11	SHEET 1 OF 1

A3



ITEM NO.	PART NUMBER	MATERIAL	COLOUR	QTY.
6	TSL MONOLITH - CONTINUOUS BASIN MONOLITH TSL.CM180	SOLID SURFACE	WHITE	1
7	TSL MONOLITH - WASTE TRAP MONOLITH 0098	RECYCLABLE POLYPROPYLENE		3
8	TSL STRAIGHT BRACKET	PLAIN CARBON STEEL		4

DRAWING NOTES & REVISION HISTORY	
REVISION 1 - AS DRAWN	

<p>UNLESS OTHERWISE SPECIFIED, DIMENSIONS ARE IN MILLIMETERS SURFACE FINISH: RECYCLABLE POLYPROPYLENE TOLERANCES: +/- 3MM</p> <p>PROPRIETARY AND CONFIDENTIAL THE INFORMATION CONTAINED IN THIS DRAWING IS THE SOLE PROPERTY OF THE SPLASH LAB ANY REPRODUCTION IN PART OR AS A WHOLE WITHOUT THE WRITTEN PERMISSION OF THE SPLASH LAB IS PROHIBITED</p>	TSL MONOLITH - DRAWING MONOLITH TSL.CM180			DO NOT SCALE DRAWING	REVISION 1
		NAME	SIGNATURE	DATE	TITLE: TSL.L.180
	DRAWN	TWP		15/07/2022	
	APPV'D				
	QUANTITY	1			CLIENT MONOLITH
	USERS	3			
COLOUR	AS STATED IN BOM			SCALE:1:11	SHEET 1 OF 1
MATERIAL	AS STATED IN BOM				
WEIGHT	27.54KG				A3